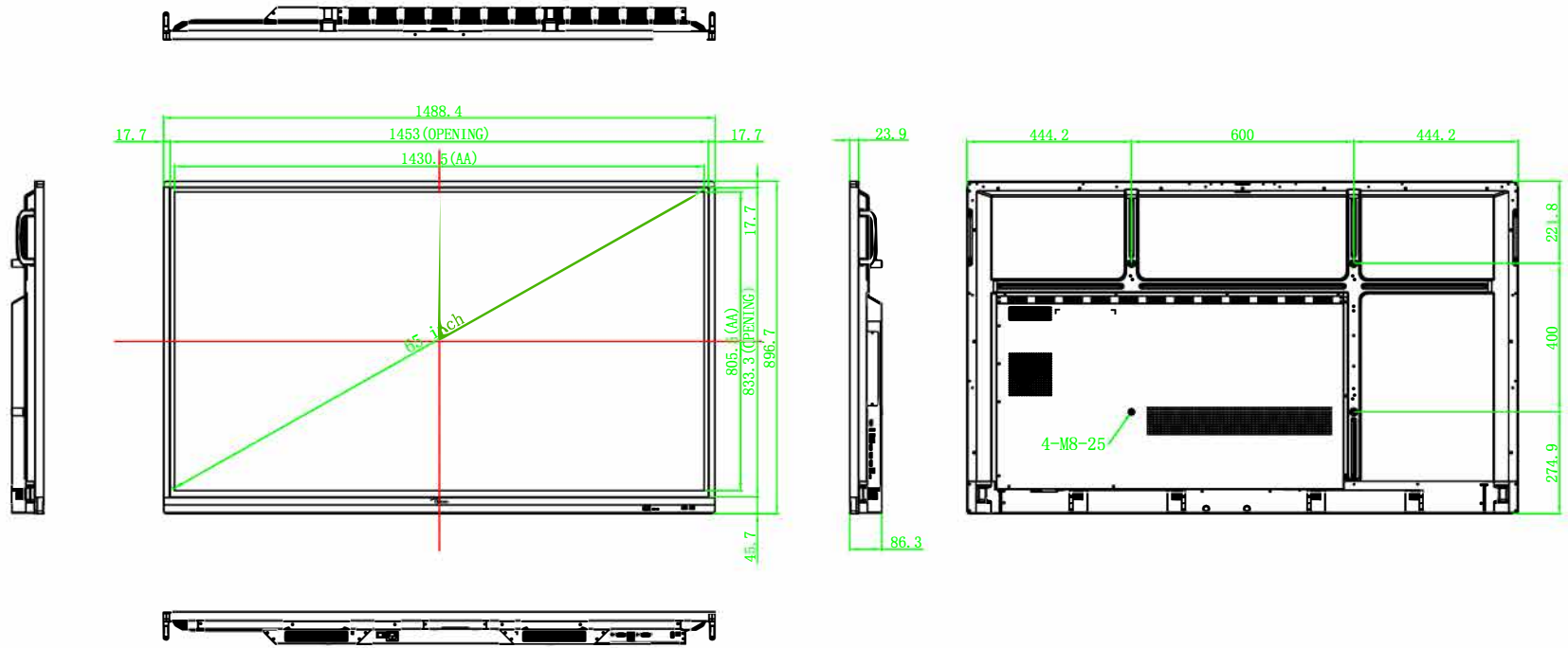


| Sign | VER | Date | Change Description | Designer |
|------|-----|------|--------------------|----------|
| \ | 1.0 | \ | 初版发行 | \ |
| △ | \ | \ | \ | \ |
| △ | \ | \ | \ | \ |
| △ | \ | \ | \ | \ |



| TOLERANCES (Unless Otherwise Stated) | |
|---|-------|
| 尺寸范围 | 公差 |
| ≤63 | ±0.10 |
| 63 < x ≤ 160 | ±0.15 |
| 160 < x ≤ 400 | ±0.20 |
| 400 < x ≤ 1000 | ±0.25 |
| > 1000 | ±0.3 |
| Angle | ±0.3 |

本公差适用于钣金开模件

Third Projection

| 广州视睿电子科技有限公司 Guangzhou Shirui Electronics Co., Ltd. | | | |
|--|-----------------|-------|-------|
| Project NO. | L65EG-CS2350B-G | Unit | mm |
| Part NO. | \ | Scale | 1:1 |
| Part Name | 整机六视图 | Size | free |
| Material | \ | Pages | 1/1 |
| Color NO. | \ | APV | NOTES |
| Designer | 鄢刘洋 | | |

